

FS AND FD DEVICE BOXES - SINGLE GANG

FOR THREADED RIGID CONDUIT AND IMC

APPLICATION

Accommodates wiring devices and provides opening to splice, tap or pull conductors.

FEATURES

- Tapered threaded hubs (NPT) with integral bushing
- Internal grounding screw
- Suitable for use in wet locations when used with gasketed covers
- Surface mounting lugs

STANDARD MATERIALS

Malleable Iron

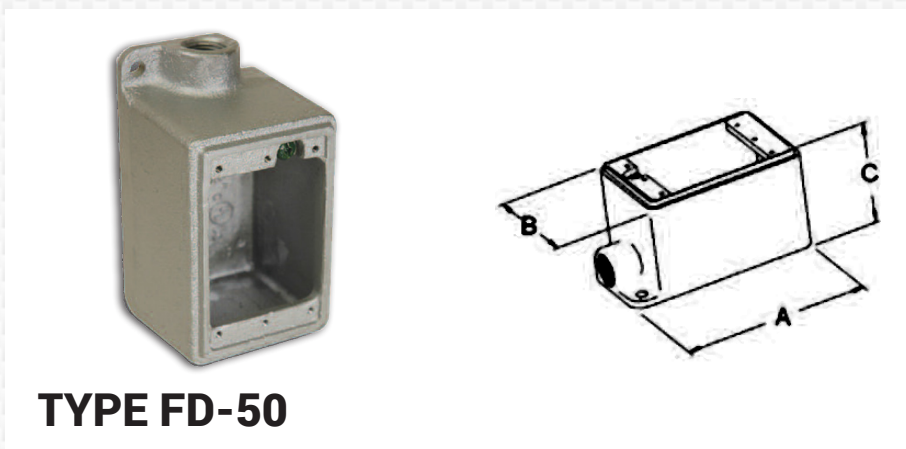
STANDARD FINISH

Zinc Plated



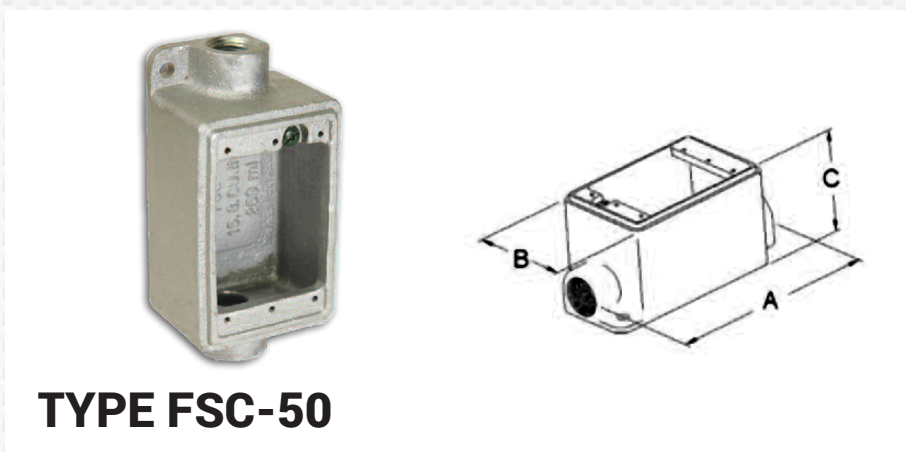
OPTIONAL FINISH

For additional corrosion protection, specify Hot Dipped Galvanized. Add suffix 'G' to Malleable Iron catalog number. Example FD-50G. Please call factory for pricing and availability.



TYPE FD-50

CATALOG NUMBER	TRADE SIZE	DIM A	DIM B	DIM C	UNIT PACK	MASTER PACK	LBS. / 100 PCS.	UPC #
FS-50	1/2"	5.250	2.938	2.125	1	5	221	90116
FS-75	3/4"	5.250	2.938	2.125	1	5	233	90117
FS-100	1"	5.250	2.938	2.125	1	5	242	90118
FD-50	1/2"	5.250	3.000	2.875	1	5	272	90119
FD-75	3/4"	5.250	3.000	2.875	1	5	278	90120
FD-100	1"	5.250	3.000	2.875	1	5	283	90121



TYPE FSC-50

CATALOG NUMBER	TRADE SIZE	DIM A	DIM B	DIM C	UNIT PACK	MASTER PACK	LBS. / 100 PCS.	UPC #
FSC-50	1/2"	6.063	2.938	2.125	1	5	234	90122
FSC-75	3/4"	6.063	2.938	2.125	1	5	240	90123
FSC-100	1"	6.063	2.938	2.125	1	5	250	90124
FDC-50	1/2"	6.063	3.000	2.875	1	5	293	90125
FDC-75	3/4"	6.063	3.000	2.875	1	5	305	90126
FDC-100	1"	6.063	3.000	2.875	1	5	313	90127