

45° BIG BITE-SADDLE TYPE CONNECTORS WITH INSULATED THROAT

FOR ARMORED CABLE, METAL CLAD AND FLEXIBLE METALLIC CONDUIT

APPLICATION

To connect Flex, AC and MC cables to a box or an enclosure.

FEATURES

- Male Hub Threads- NPSM
- One piece malleable construction affording extra strength
- Dual gripping saddle clamps
- Saddle clamp rides up & down on screw for ease of installation
- Robertson Head Screws
- Furnished with Insulated Throat

STANDARD MATERIALS

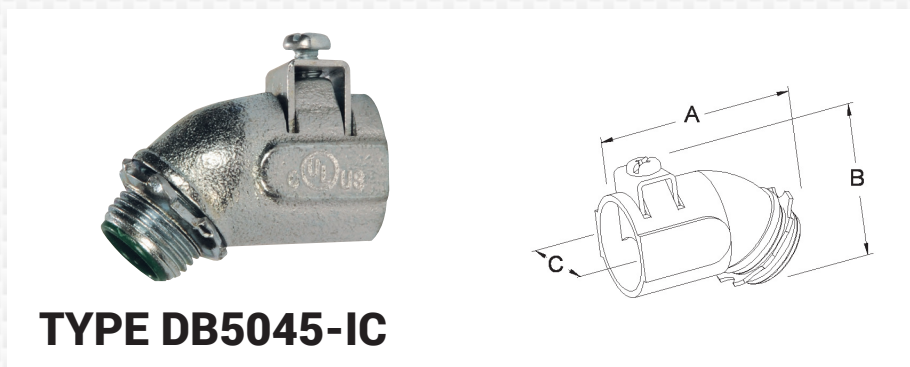
Malleable Iron/Steel Locknuts/Steel Clamps

STANDARD FINISH

Zinc Plated



*Please see Cable Chart for Double Bite Connectors on page 145.



CATALOG NUMBER	TRADE SIZE	CABLE OPENING MAX	CABLE OPENING MIN	KO SIZE	DIM A	DIM B	DIM C	UNIT PACK	MASTER PACK	LBS./100 PCS.	UPC #
DB3845-IC	3/8"	0.656	0.437	1/2"	1.813	1.750	0.938	50	250	16	99913
DB5045-IC	1/2"	0.937	0.750	1/2"	2.125	2.125	1.250	25	100	26	99914
DB7545-IC	3/4"	1.125	0.906	3/4"	2.375	2.313	1.438	10	100	29	99915