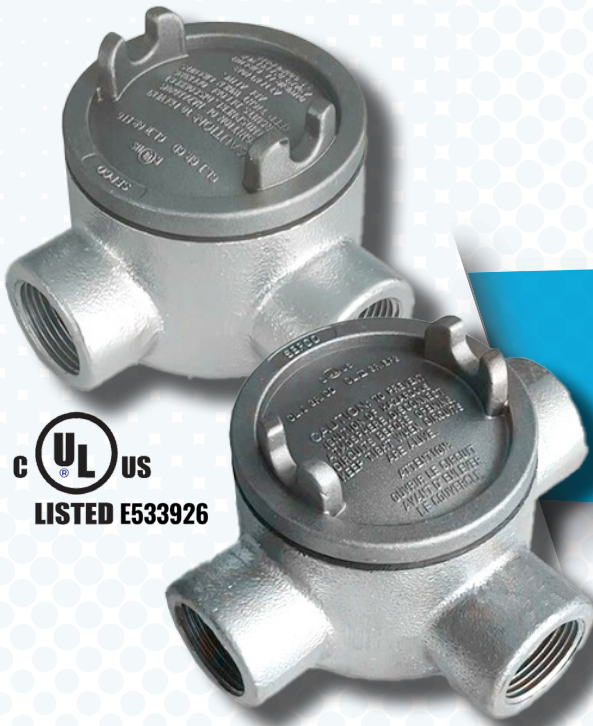




SteelElectric
P R O D U C T S



**NEW PRODUCT
COMING SOON**
EARLY SEPTEMBER 2023

MALLEABLE IRON/HOT DIPPED GALVANIZED** EXPLOSION PROOF GUAL AND GUAT CONDUIT OUTLET BOXES**

FOR THREADED RIGID METAL CONDUIT AND IMC

APPLICATION

- Provides access to splice, tap or pull conductors.
- Allows connection of straight, branch, and 90° bends of conduit runs.

FEATURES

UL Listed suitable for use in the following Hazardous Locations;

- Class I, Div 1&2, Groups A,B,C,D
- Class II, Div 1, Groups E,F,G
- NEMA, Type 7 & 9
- Explosionproof, Dust-ignition proof, Raintight, Wet Locations

STANDARD MATERIALS

- Body: Malleable Iron
- Covers: Aluminum

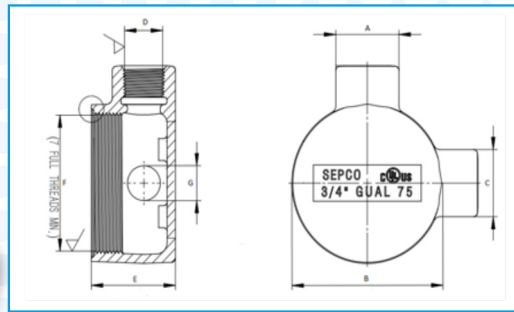
STANDARD FINISH

- Body: Hot Dipped Galvanized & Zinc Plating

**SEE SPECIFICATIONS
ON BACKSIDE!**

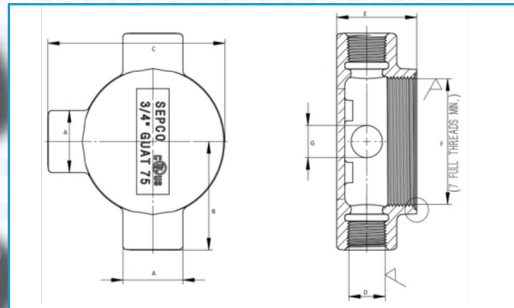


SteelElectric
P R O D U C T S



EXPLOSION PROOF GUAL

Catalog Number	Trade Size	DIM A	DIM B	DIM C	DIM D	DIM E	DIM F	DIM G	Unit Pack	Master Pack	Weight (LBS) PER 100 PCS
GUAL50	1/2"	1.25	2.63	3.59	0.50	2.00	3.13	0.59	1	5	214
GUAL75	3/4"	1.50	2.63	3.59	0.75	2.00	3.13	0.78	1	5	220
GUAL100	1"	1.75	2.63	3.60	1.00	2.31	3.13	1.00	1	5	251



EXPLOSION PROOF GUAT

Catalog Number	Trade Size	DIM A	DIM B	DIM C	DIM D	DIM E	DIM F	DIM G	Unit Pack	Master Pack	Weight (LBS) PER 100 PCS
GUAT50	1/2"	1.25	2.63	3.59	0.50	2.00	3.13	0.59	1	5	229
GUAT75	3/4"	1.50	2.63	3.59	0.75	2.00	3.13	0.78	1	5	242
GUAT100	1"	1.75	2.63	3.60	1.00	2.31	3.13	1.00	1	5	286