



**NEW PRODUCT
COMING SOON**



MALLEABLE IRON RAIN TIGHT RIGID COMPRESSION CONNECTORS

THREADLESS RIGID METAL CONDUIT AND IMC

APPLICATION

- To couple sections of threadless rigid conduit together creating a raintight seal

FEATURES

- Concrete tight and Raintight

STANDARD MATERIALS

- Body: Malleable Iron

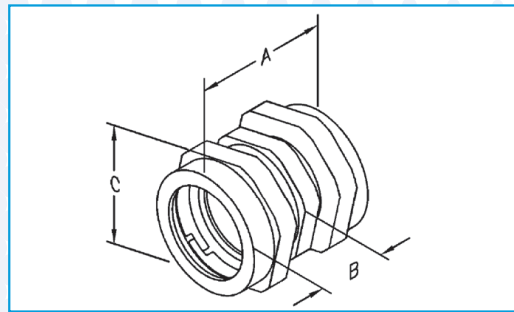
STANDARD FINISH

- Zinc Plated

**SEE SPECIFICATIONS
ON BACKSIDE!**



SteelElectric
P R O D U C T S



TYPE NTCC-50RT

Catalog Number	Trade Size	DIM A	DIM B	DIM C	Unit Pack	Master Pack	LBS. / 100 PCS.	UPC #
NTCC-50RT	1/2"	1.813	0.500	1.500	25	250	30	14425
NTCC-75RT	3/4"	1.875	0.500	1.625	10	100	32	14426
NTCC-100RT	1"	2.188	0.563	2.000	5	50	44	14427
NTCC-125RT	1-1/4"	2.625	0.688	2.375	5	50	78	14428
NTCC-150RT	1-1/2"	2.688	0.750	2.625	2	20	93	14429
NTCC-200RT	2"	3.013	0.938	3.313	5	25	159	14430
NTCC-250RT	2-1/2"	4.500	2.000	3.750	1	10	277	14431
NTCC-300RT	3"	4.938	2.250	4.250	1	5	393	14432
NTCC-350RT	3-1/2"	5.000	2.250	4.750	1	5	547	14433
NTCC-400RT	4"	5.525	2.438	5.313	1	5	626	14434
NTCC-500RT	5"	6.250	2.713	6.016	—	1	1220	14435
NTCC-600RT	6"	6.875	2.975	7.325	—	1	1300	14436