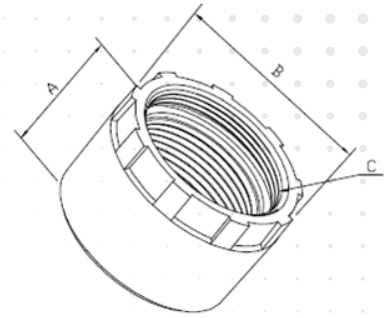


# MALLEABLE IRON/HOT DIPPED GALVANIZED CABLE SUPPORTS-BODY ONLY FOR THREADED RIGID CONDUIT AND IMC



**APPLICATION:**

- For supporting non-armored electrical cables in vertical conduit risers.

**FEATURES:**

- The fastest and easiest type cable support to install.
- Equipped with tapered phenolic bushing.
- Threaded for rigid conduit and IMC.

## TYPE CSB-200

**STANDARD MATERIALS:**

Malleable Iron

**STANDARD FINISH:**

Hot Dipped Galvanized

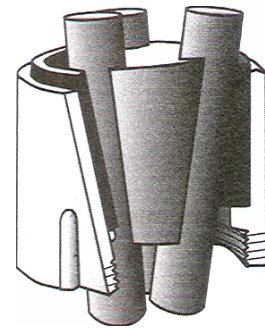
**CERTIFICATIONS AND COMPLIANCES**



UL LISTED E198258  
UL Standard: UL514B  
NEMA FB-1  
ASTM Rated

CATALOG NUMBER	TRADE SIZE	DIM A	DIM B	DIM C	UNIT PACK	MASTER PACK	LBS./100 PCS	UPC #
CSB-200	2"	2.375	2.625	2"-8 NPSM	1	10	175	50035
CSB-250	2-1/2"	2.520	3.610	2 1/2"-8 NPSM	1	10	225	50036
CSB-300	3"	2.750	4.290	3"-8 NPSM	1	10	282	50037
CSB-350	3-1/2"	3.100	4.960	3 1/2"-8 NPSM	1	5	335	50038
CSB-400	4"	3.100	5.520	4"-8 NPSM	1	5	470	50039

# CABLE SUPPORTS-WEDGE ONLY



**APPLICATION:**

- Must be used with Cable Support Bodies for supporting non-armored electrical cables in vertical risers.

**FEATURES:**

- Made to order to your requirements (not returnable).
- One piece design with Sand-Grip in grooves allowing maximum support to the cable.
- Use with all types of insulations at 600V

**STANDARD MATERIALS:**

Maple, Hardwood

**STANDARD FINISH:**

Black Lacquer Paint with Sandy Grit Grooves

## TYPE CSW-200-1

CATALOG NUMBER	TRADE SIZE	NUMBER OF CONDUCTORS	UNIT PACK	MASTER PACK	LBS./100 PCS	UPC #
CSW-200-1	2"	5+	1	5	30	50040
CSW-200-2	2"	1-4	1	5	30	50041
CSW-250-1	2-1/2"	5+	1	5	40	50042
CSW-250-2	2-1/2"	1-4	1	5	40	50043
CSW-300-1	3"	5+	1	5	60	50044
CSW-300-2	3"	1-4	1	5	60	50045
CSW-350-1	3-1/2"	5+	1	5	80	50046
CSW-350-2	3-1/2"	1-4	1	5	80	50047
CSW-400-1	4"	5+	1	5	90	50048
CSW-400-2	4"	1-4	1	5	90	50049